

Shopin® Since 1978
隨心鎖欲®

TRAVEL



www.shopinlock.com.tw

Shopin® Since 1978
隨心鎖欲®

彰彬工業股份有限公司
SHOPIN LOCK CO., LTD.

彰化市彰鹿路93巷101號
NO.101,93 LANE, CHANG-LU RD, TSYH-TORNG LI,
CHUANGHUA, TAIWAN, R.O.C
TEL:886-4-7523906~8 FAX:886-4-7613288
sales@shopinlock.com.tw



Company Profile

With strict quality control system to check on layer upon layer for zero drawback products, Shopin lock company owned 27 year experiences in manufacturing combination locks, padlocks, trailer locks, as well as hardware accessories, and we also accept customized designs, in accordance with Philosophies in Management "Good Faith", "Service", "Quality", "Innovation", developing processing technology by ourselves, our products tried very hard for standardization, reputation for honesty is remarkable, as well as acquired market superiority & enhanced enterprise competitive ability.

We customize every kind of padlocks according to customers' requirements, R & D by ourselves, and obtained numbers of International Patents, according to specialized know-how as the predominant R & D development, shortened time in design, cost control, product manufacturing process and production, making efficacious and tranquil production & growth; from contacted cases, designed, mock-up samples, mass production to delivery, all completed with consistent operation inside the factory.

We simultaneously apply CAD/CAM system to modify and promote design & manufacturing ability, ceaselessly develop to provide zero drawback products, and all tests will be completely recorded for the convenience of tracking & checking, as well as perfect services to satisfy customers' requirements.

There's no boundary without breakthrough by us, and there's no delimited aspects; what we owned are the most actually & adroitly alterations.

Our firm (Our factory) deeply realized that only by grasping the tendency, together with unfolding mickle strength, to acquire the leading status on this wave of industrial competitions.

We insisted on only by "excellent skills in professional technology & knowledge", "surpass our ego", "enthusiastic innovation", and "everlasting management" to create future together!

彰彬工業股份有限公司1978年成立於彰化市，佔地約兩千六百平方公尺，建築面積約一千五百平方公尺，為一專業製鎖工廠。公司擁有專業開發團隊及先進設備，精於各類密碼鎖及五金製品的設計開發及製造生產，因為完美的研發能力至今已獲得數百件國際專利，並於2017年通過ISO 9001:2015品質管理系統認證。

我們的研發團隊近年致力於各式新產品的開發與設計，無論是傳統的OEM代工製造或是ODM客制化設計都有豐富成熟的經驗，舉凡流行性，功能性及安全性的產品都是彰彬努力的研發目標，我們也將不斷的努力成長來提升客戶端在市場上的競爭力與大家一起成長。



INDEX

Spare Key Box/ 01
key safe



Combination 08
Padlock



Hitch Lock 10



TSA Padlock 12



Cam Lock 14



Combination 15
Slide Bolt



Security Bar 16



SPARE KEY BOX / KEY SAFE

SHACKLE SERIES



MBX-102



Material	Lock housing: Zinc alloy Dial: Zinc alloy Shackle: Iron steel Ø 10 mm (Hardened)
Size	Storage space (W) 58 x (L) 38 mm Measurements of Lock Body L(73mm) x W(37mm) x H(154mm)
Weight	446g



MBX-2006-4



Material	Lock housing: Zinc alloy Dial: Zinc alloy Shackle: Iron steel Ø 8.5 mm (Hardened)
Size	Storage space (W) 53 x (L) 60 mm Measurements of Lock Body: L(68mm) x W(34mm) x H(136mm)
Weight	406g



MBX-2007



Material	Lock housing: Zinc alloy Dial: Zinc alloy Shackle: Iron steel Ø 10 mm (Hardened)
Size	Storage space (W) 68 x (L) 98 mm Measurements of Lock Body: L(83mm) x W(37mm) x H(182mm)
Weight	596g

MBX-105



Material	Lock housing: Zinc alloy Dial: Zinc alloy Shackle: Iron steel Ø 10 mm (Hardened)
Size	Storage space (W) 58 x (L) 70 mm Measurements of Lock Body: L(73mm) x W(37mm) x H(188mm)
Weight	558g

PATENT : U.S. 6834519 • Taiwan M327900
China ZL03249047X

USE FOR :

- Real Estate Sales
- Repair Service Personnel
- Remodeling Contractor
- House and Pet Sitter
- Children after school
- Cleaning Service Personnel
- Maintenance Personnel
- Vacation Property Users



Large Dial

MBX-2009



Material	Lock housing: Zinc alloy Dial: Zinc alloy Shackle: Iron steel Ø 8.5 mm (Hardened)
Size	Storage space (W) 68 x (L) 102 mm Measurements of Lock Body: L(77mm) x W(42mm) x H(190mm)
Weight	696g

SPARE KEY BOX / KEY SAFE



MBX-3004

Material

Lock housing: Zinc alloy
Dial: Zinc alloy
Shackle: Iron steel Ø 10 mm (Hardened)

Size

Storage space (W) 68 x (L) 98 mm
Measurements of Lock Body:
L(76mm) x W(40mm) x H(180mm)

Weight

584g



MBX-2205

Material

Lock housing: Zinc alloy
Dial: Zinc alloy
Shackle: Iron steel Ø 10 mm (Hardened)

Size

Storage space (W) 68 x (L) 88 mm
Measurements of Lock Body:
L(77mm) x W(48mm) x H(190mm)

Weight

738g



MBX-2203 Key Override

Material

Lock housing: Zinc alloy
Dial: Zinc alloy
Shackle: Iron steel Ø 10 mm (Hardened)

Size

Storage space (W) 68 x (L) 98 mm
Measurements of Lock Body:
L(76mm) x W(40mm) x H(180mm)

Weight

638g



MBX-2206

Material

Lock housing: Zinc alloy
Dial: Zinc alloy (Re-settable)
Shackle: Iron steel Ø 10 mm (Hardened)
Cable: Ø 7 mm

Size

Storage space (W) 68 x (L) 107 mm
Measurements of Lock Body:
Length: L(77mm) x W(48mm) x H(190mm)

Weight

700g



SHACKLE SERIES



MBX-2015

Material

Lock housing: Zinc alloy
Dial: ABS (Available)
Shackle: Iron steel Ø 10 mm (Hardened)

Size

Storage space (W) 68 x (L) 112 mm
Measurements of Lock Body:
L(60.5mm) x W(40mm) x H(83mm)

Weight

698g



MBX-2101

Material

Lock housing: Zinc alloy
Dial: Zinc alloy
Shackle: Iron steel Ø 8.5 mm (Hardened)

Size

Storage space (W) 53 x (L) 60 mm
Measurements of Lock Body:
L(68mm) x W(37mm) x H(136mm)

Weight

386g



SHACKLE SERIES



MBX-2101-4

Material

Lock housing: Zinc alloy
Dial: Zinc alloy
Shackle: Iron steel Ø 8.5 mm (Hardened)

Size

Storage space (W) 53 x (L) 60 mm
Measurements of Lock Body:
L(68mm) x W(37mm) x H(136mm)

Weight

404g



MBX-2103

Material

Lock housing: Zinc alloy
Dial: Zinc alloy
Shackle: Iron steel Ø 8.5 mm (Hardened)

Size

Storage space (W) 53 x (L) 63 mm
Measurements of Lock Body:
L(61mm) x W(40mm) x H(139mm)

Weight

436g



PATENT : U.S. D592934



MBX-2104

Material

Lock housing: Zinc alloy
Dial: Zinc alloy
Shackle: Iron steel Ø 8.5 mm (Hardened)

Size

Storage space (W) 53 x (L) 60 mm
Measurements of Lock Body:
L(68mm) x W(37mm) x H(136mm)

Weight

448g



MBX-2204

Material

Lock housing: Zinc alloy
Dial: Zinc alloy
Shackle: Iron steel Ø 10 mm (Hardened)

Size

Storage space (W) 68 x (L) 98 mm
Measurements of Lock Body:
L(77mm) x W(37mm) x H(180mm)

Weight

636g



MBX-3007

Material

Lock housing: Zinc alloy
Dial: Zinc alloy
Shackle: Iron steel Ø 8.5 mm (Hardened)

Size

Storage space (W) 68 x (L) 98 mm
Measurements of Lock Body:
L(77mm) x W(46mm) x H(180mm)

Weight

381g



MBX-2201

Material

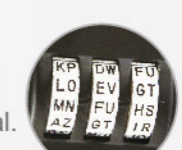
Lock housing: Zinc alloy
Dial: Zinc alloy
Shackle: Iron steel Ø 8.5 mm (Hardened)

Size

Storage space (W) 53 x (L) 60 mm
Measurements of Lock Body:
L(68mm) x W(37mm) x H(136mm)

Weight

404g



PATENT : U.S. 7251967, Taiwan M290522,
China ZL200520132178.8

WEATHER COVER



MBX-2006 WEATHER COVER

Material	PP
Fit For	MBX-2006-4, MBX-2101-4, MBX-2101 MBX-2016, MBX-2111, MBX-2111-4



MBX-2007 WEATHER COVER

Material	PP+ RUBBER
Fit For	MBX-2007, MBX-2017



MBX-2009 WEATHER COVER

Material	PP+ RUBBER
Fit For	MBX-2009, MBX-2019

MBX-3014 WEATHER COVER

Material	PP+ RUBBER
Fit For	MBX-3004, MBX-3014



WALL-MOUNT SERIES

USE FOR :

- Real Estate Sales
- Repair Service Personnel
- Remodeling Contractor
- House and Pet Sitter
- Children after school
- Cleaning Service Personnel
- Maintenance Personnel
- Vacation Property Users



MBX-2016

Material	Lock housing: Zinc alloy Dial: Zinc alloy & ABS (Available)
Size	Storage space (W) 53 x (L) 60 mm Measurements of Lock Body: L(68mm) x W(34mm) x H(83mm)
Weight	398g

PATENT : U.S. 7251967, Taiwan M290522,
China ZL200520132178.8

MBX-2017

Material	Lock housing: Zinc alloy Dial: Zinc alloy & ABS (Available)
Size	Storage space (W) 68 x (L) 98 mm Measurements of Lock Body: L(83mm) x W(37mm) x H(124mm)
Weight	578g



Large Dial



MBX-2019

Material	Lock housing: Zinc alloy Dial: Zinc alloy
Size	Storage space (W) 68 x (L) 112 mm Measurements of Lock Body: L(77mm) x W(42mm) x H(141mm)
Weight	666g

MBX-3017

Material	Lock housing: Zinc alloy Dial: Zinc alloy
Size	Storage space (W) 68 x (L) 98 mm Measurements of Lock Body: L(77mm) x W(46mm) x H(180mm)
Weight	360g

SPARE KEY BOX KEY SAFE

MBX-2111

Material	Lock housing: Zinc alloy Dial: Zinc alloy
Size	Storage space (W) 53 x (L) 60 mm Measurements of Lock Body: L(68mm) x W(41mm) x H(83mm)
Weight	381g



MBX-2111-4

Material	Lock housing: Zinc alloy Dial: Zinc alloy
Size	Storage space (W) 53 x (L) 60 mm Measurements of Lock Body: L(68mm) x W(41mm) x H(83mm)
Weight	390g



MBX-2113

Material	Lock housing: Zinc alloy Dial: Zinc alloy
Size	Storage space (W) 53 x (L) 75 mm Measurements of Lock Body: L(61mm) x W(39mm) x H(85mm)
Weight	376g



MBX-2114

Material	Lock housing: Zinc alloy Dial: Zinc alloy
Size	Storage space (W) 53 x (L) 60 mm Measurements of Lock Body: L(68mm) x W(43.3mm) x H(83.2mm)
Weight	440g

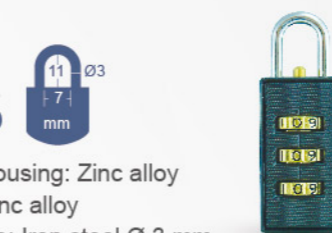
MBX-3014

Material	Lock housing: Zinc alloy Dial: Zinc alloy
Size	Storage space (W) 68 x (L) 98 mm Measurements of Lock Body: L(76mm) x W(40mm) x H(124mm)
Weight	586g

COMBINATION PADLOCK

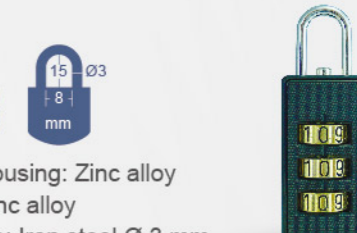
CP-203

Material	Lock housing: Zinc alloy Dial: Zinc alloy Shackle: Iron steel \varnothing 3 mm
Size	Lock body: (L) 13.5 x (W) 18 x (H) 50 mm
Weight	30g



CP-223

Material	Lock housing: Zinc alloy Dial: Zinc alloy Shackle: Iron steel \varnothing 3 mm
Size	Lock body: (L) 16 x (W) 22 x (H) 64 mm
Weight	52g



CP-232

Material	Lock housing: Zinc alloy Dial: Zinc alloy Shackle: Iron steel \varnothing 3 mm
Size	Lock body: (L) 14 x (W) 22 x (H) 60 mm
Weight	34g



CP-234

Material	Lock housing: Zinc alloy Dial: Zinc alloy Shackle: Iron steel \varnothing 3 mm
Size	Lock body: (L) 14 x (W) 22 x (H) 65 mm
Weight	46g



CP-292

Material	Lock housing: Zinc alloy Dial: Zinc alloy Shackle: Zinc \varnothing 3.5 mm
Size	Lock body: (L) 12 x (W) 35 x (H) 50 mm
Weight	36g



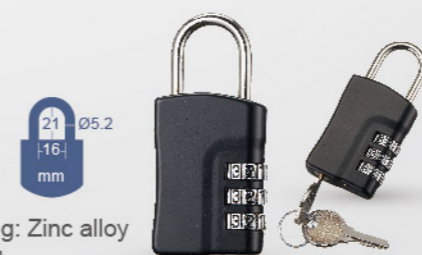
CP-9912

Material	Lock housing: Zinc alloy Dial: Zinc alloy Shackle: Iron steel \varnothing 5.2 mm
Size	Lock body: (L) 14 x (W) 35 x (H) 83 mm
Weight	104g



CP-9914

Material	Lock housing: Zinc alloy Dial: Zinc alloy Shackle: Iron steel \varnothing 5.2 mm
Size	Lock body: (L) 14 x (W) 35 x (H) 83 mm
Weight	104g



COMBINATION PADLOCK

HITCH LOCK

CP-293



Material	Dial: Zinc alloy Lock housing: Zinc alloy Shackle: Zinc Ø 3.5 mm
Size	Lock body: (L) 12 x (W) 22 x (H) 60 mm
Weight	34g

CP-8503



Material	Dial: Zinc alloy Lock housing: Stainless steel Shackle: Iron steel Ø 7 mm (Hardened)
Size	Lock body: (L) 30.5 x (W) 48 x (H) 80 mm
Weight	106g

CP-8503-4



Material	Dial: Zinc alloy Lock housing: Stainless steel Shackle: Iron steel Ø 7 mm (Hardened)
Size	Lock body: (L) 30.5 x (W) 55 x (H) 80 mm
Weight	174g

CP-8503-5



Material	Dial: Zinc alloy Lock housing: Stainless steel Shackle: Iron steel Ø 7 mm (Hardened)
Size	Lock body: (L) 30.5 x (W) 55 x (H) 122 mm
Weight	198g

CP-228



Material	Dial: Zinc alloy Lock housing: Zinc alloy Shackle: Zinc Ø 4 mm
Size	Lock body: (L) 16.5 x (W) 26 x (H) 73.5 mm
Weight	64g

CP-8505



Material	Dial: Zinc alloy Lock housing: Zinc alloy Shackle: Iron steel Ø 7 mm (Hardened)
Size	Lock body: (L) 21 x (W) 41 x (H) 90 mm
Weight	148g

CP-8704



Material	Dial: Zinc alloy Lock housing: Zinc alloy Shackle: Iron steel Ø 5.2 mm (Hardened)
Size	Lock body: (L) 21 x (W) 32 x (H) 85 mm
Weight	116g

CP-9911



Material	Dial: Zinc alloy Lock housing: Zinc alloy Shackle: Iron steel Ø 5.2 mm (Hardened)
Size	Lock body: (L) 14 x (W) 35 x (H) 90 mm
Weight	114g



CP-7001A

- Protects any hitch mounted item from theft of trailers & expensive towing components.
- Available in 5/8" sizes for Class I, II, III or IV hitches.
- Dust cap seals out dirt and water for trouble-use.
- Tough rugged construction for years of dependability.
- Chrome Finish.
- Size: 5/8" Diameter x 2-3/4" Long

PATENT : U.S. 6913413

CP-7001C

- Dust cap seals out dirt and water for trouble-use.
- Tough rugged construction for years of dependability.
- Chrome Finish.
- Size: 9/32" Diameter x 1-1/8" Long

HITCH LOCK



CP-7001D

- Protects any hitch mounted item from theft of trailers & expensive towing components.
- Available in 1/2" sizes for Class I, II, III or IV hitches.
- Dust cap seals out dirt and water for trouble-use.
- Tough rugged construction for years of dependability.
- Chrome Finish.
- Size: 1/2" Diameter x 2-3/4" Long



CP-7002B

- Protects any hitch mounted item from theft of trailers & expensive towing components.
- Available in 1/2" sizes for Class I, II, III or IV hitches.
- Dust cap seals out dirt and water for trouble-use.
- Tough rugged construction for years of dependability.
- Chrome Finish
- Size: 1/2" Diameter x 2-3/4" Long



CP-7005

- Made with a black-plated die-cast zinc body.
- Weather-resistant and perfect for securing spare tires on vehicles, boats, or trailers.
- Use on spare tires only.



CP-7002A

- Protects any hitch mounted item from theft of trailers & expensive towing components.
- Available in 5/8" sizes for Class I, II, III or IV hitches.
- Dust cap seals out dirt and water for trouble-use.
- Tough rugged construction for years of dependability.
- Chrome Finish.
- Size: 5/8" Diameter x 2-3/4" Long



CP-7003

- Designed for use on latch-type Couplers which have a locking hole through the handle
- Tough rugged construction
- Keep threaded stud section of lock lightly lubricated



CP-7006

- Size: 5/8" Diameter x 3" Long

TSA PADLOCK



The transportation Security Administration (TSA) screeners and airlines check-in staff at air ports are trained to recognize the Travel Sentry logo. They understand that baggages with locks displaying this mark are permitted to remain locked. TSA screeners have access to special codes that allow them to open these locks in the event that the baggages must be opened for inspection. With Travel Sentry Certified locks the TSA can screen checked baggage faster without having to break open locks.

SHP-001



Material	Lock housing: Zinc alloy Dial: Zinc alloy Shackle: Zinc alloy
Size	Lock Body: (L)35 x (W)12 x (H)53 mm Shackle: Ø 3.3mm (diameter)
Weight	46g



TSA PADLOCK

CAM LOCK



SHP-003



Material

Lock housing: Zinc alloy
Dial: Zinc alloy
Shackle: Steel cable

Size

Lock Body: (L)35 x (W)12 x (H)55 mm
Cable: Ø 2mm (diameter)

Weight

54g

Inspection Window Series



SHP-005



Material

Lock housing: Zinc alloy
Dial: Zinc alloy or ABS
Shackle: Iron steel

Size

Lock Body: (L) 25 x (W) 14 x (H) 64 mm
Shackle: Ø 3.2 mm (diameter)

Weight

52g

Inspection Window Series



SHP-007



Material

Lock housing: Zinc alloy
Dial: Zinc alloy
Steel cable

Size

Lock Body: (L)37 x (W)12 x (H)70 mm
Cable: Ø 2mm (diameter)

Weight

70g

PATENT : U.S. 7552607

SHP-004



Material

Lock housing: Zinc alloy
Dial: Zinc alloy
Shackle: Zinc alloy

Size

Lock Body: (L)35 x (W)12 x (H)55 mm
Shackle: Ø 3.3mm (diameter)

Weight

54g

SHP-006



Material

Lock housing: Zinc alloy
Dial: Zinc alloy
Shackle: Iron steel

Size

Lock Body: (L) 33 x (W) 14 x (H) 66 mm
Shackle: Ø 3.2 mm (diameter)

Weight

62g

SHP-010



Material

Lock housing: Zinc alloy
Shackle: Iron steel Ø 2 mm (Hardened)

Size

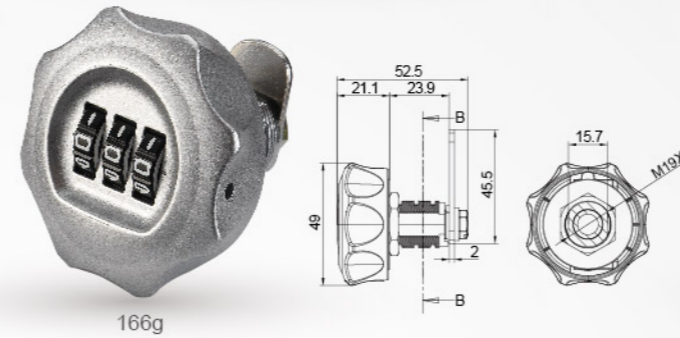
Lock body: (L) 15 x (W) 32 x (H) 60 mm

Weight

62g



- Locker
- Mail box
- Tool box
- Cabinet
- Table drawer



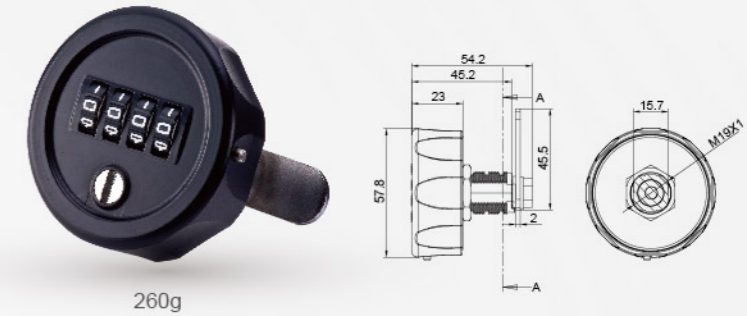
166g

CL-1112

Material

Lock housing: Zinc alloy
Dial: ABS (Re-settable)

PATENT : TW M292625 D113010



260g

CL-5101 Key Override

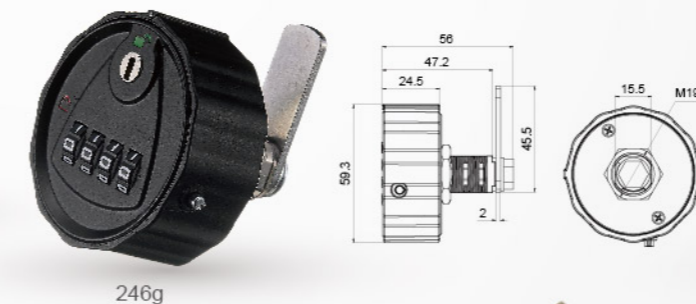
Material

Lock housing: Zinc alloy
Dial: ABS (Re-settable)

PATENT : TW M407941



Master Key



246g

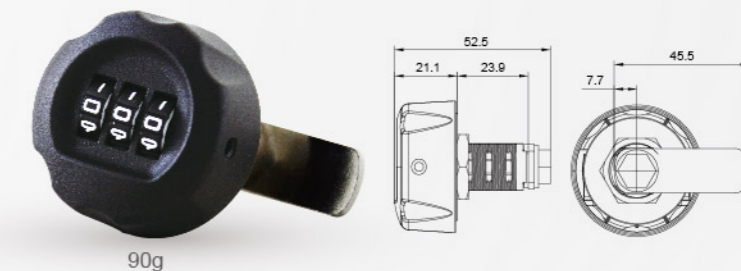
CL-5102 Decode

Material

Lock housing: Zinc alloy
Dial: ABS (Re-settable)



Master Key



90g

CL-1119

Material

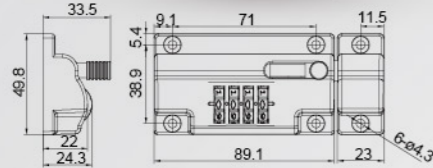
Lock housing: Nylon
Dial: ABS (Re-settable)

PATENT : TW M407941

COMBINATION SLIDE BOLT



290g

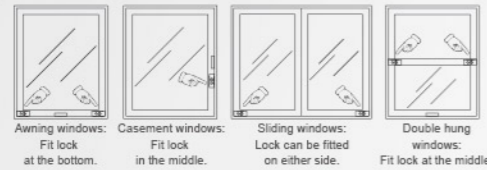


CL-1118

Material Lock housing: Zinc alloy
Dial: Zinc alloy (Re-settable)

Size Length: (L) 112 x (W) 50 mm

PATENT : U.S. D642893

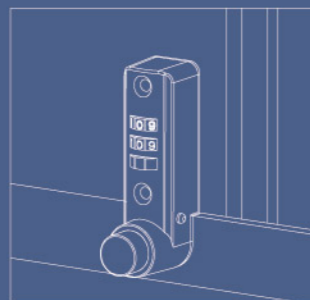


CL-1128

Material Lock housing: Zinc alloy
Dial: Zinc alloy (Re-settable)

Size Length: (L) 112 x (W) 50 mm

PATENT : U.S. D642893



CL-1130

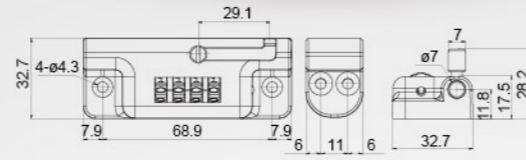
Material Lock housing: Zinc alloy
Dial: Zinc alloy (Re-settable)

Size Length: (L) 112 x (W) 50 mm

PATENT : U.S. D642893



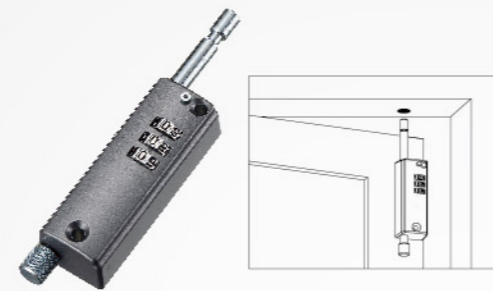
188g



CL-1135

Material Lock housing: Zinc alloy
Dial: Zinc alloy (Re-settable)

Size Length: (L) 112 x (W) 33 mm



CL-1129

Material Lock housing: Zinc alloy
Dial: Zinc alloy (Re-settable)

Size Length: (L) 112 x (W) 33 mm

SECURITY BAR

SB-002 SECURITY BAR

- Hinged and sliding door
- Removable top for sliding door application
- Rugged 40 gaguge steel construction
- Pivoting ball joint assures full with floor
- Withstands over 350 pounds(159kgs) of force
- Adjust to fit most of standard doors



1002g

ALARM DEVICE



EAC-2301

- No wiring and easy installation
- 100 dB loud alarm
- 1 pcs cell battery
- Standby time up to 1 year.